

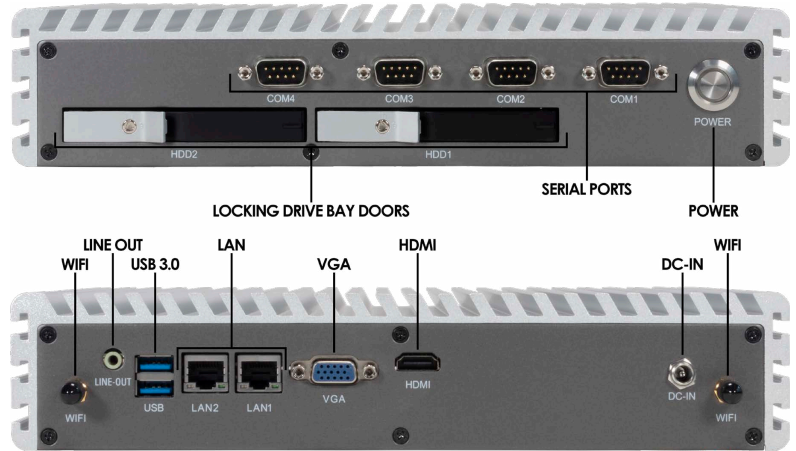
iPC R2

Rugged Mini PC



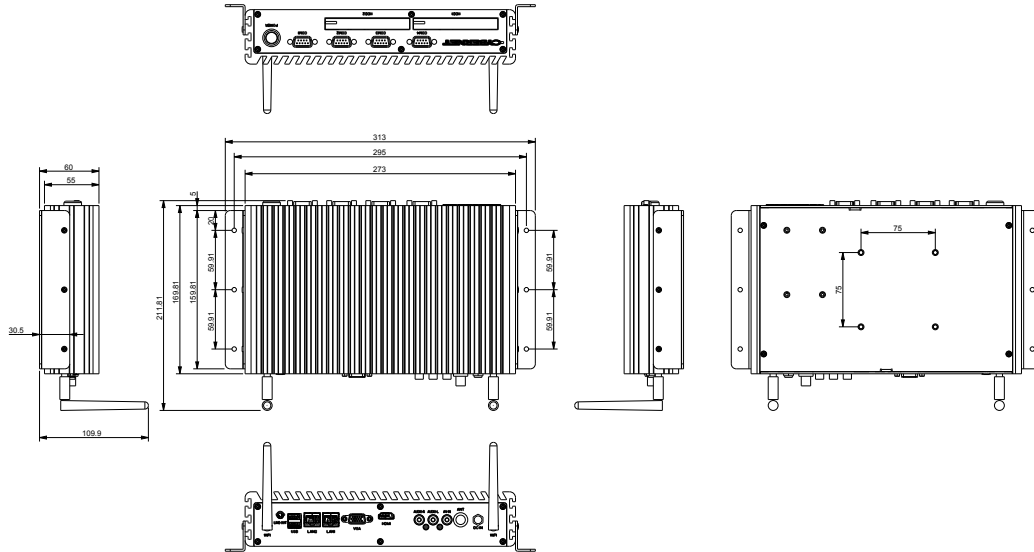
Main Features

- Industrial Shock & Vibration Rated
- Fanless Design
- CE, FCC, & RoHS Certified
- Locking Removeable Drive Bays



Technical Specifications

CPU Support	Intel J1900 Processor
Chipset	Intel Atom Baytrail-M/D
Memory	1x DDR3L 1333MHz 204-pin SO-DIMM sockets, populated up to 8GB
Operating System	Windows 10, Windows IoT, Windows 8.1, Windows 7, Linux
Video & Graphics	Intel HD Graphics
Networking	2x Gigabit (Gbe) Realtek 8111G
Wireless	802.11 b/g/n + Bluetooth 4.0
Expansion Slots	2x miniPCIe (1x Half-sized and 1x Full-sized)
HDD Support	2x 6Gbps Serial ATA III ports
Display Outputs	HDMI (1920 x 1200) VGA (1920 x 1200) Dual Monitor Capabilities
Power Supply	65W External Supply DC-IN: 9V~36V
Relative Humidity	10%~95% (non-condensing)
Shock & Vibration	IEC60068-2-27 & IEC60068-2-64



Mechanical & Environmental

Dimensions	10.74" x 6.65" x 2.16" (L,W,D)
Weight	5 lb
Wall Mount	Custom Mounting Bracket for Wall & VESA Mount Solutions
Environment	Ambient Temperature: -25°C~70°C (operating)
Certifications	FCC Class B, CE, RoHS 2.0, EN50155, EN50121-3-2, Energy Star, IEC60068-2-64 , IEC60068-2-27

Input/Output

I/O Ports	2x USB 3.0 Ports 3x RS232 1x RS232/422/485
Audio	Realtek ALC892 High Definition Audio, Dolby Digital 5.1 surround sound, 10 channels of enhanced sound quality, multiple audio streams and jack re-tasking

Optional Features

- Secondary Hard Drive
- Hardware RAID Configuration
- Wall & VESA Mounting Bracket
- Extended Warranties
- Windows IoT
- Up to 8GB of Memory

